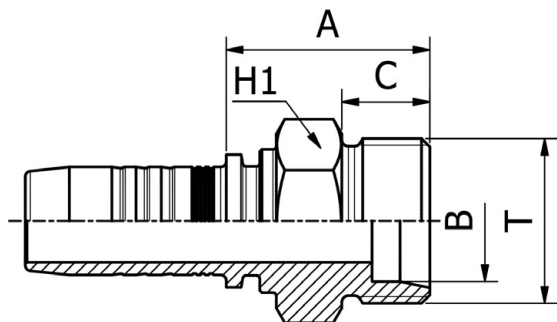


DIN STANDARD CONNECTIONS

# M11210

**METRIC MALE 24° CONE SEAT HEAVY DUTY  
DIN 20066 / ISO 12151-2**



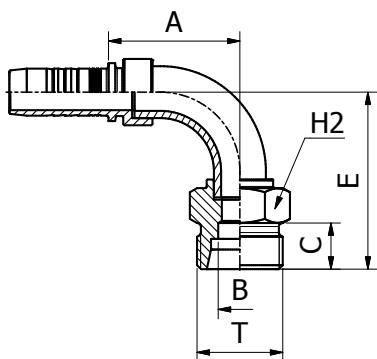
PART. REF.	HOSE BORE			Thread	Pipe	DIMENSIONS mm					
	DN	Dash	inch			T	B	A	C	H1	
M11210-04-16	6	- 4	1/4"	M 16X1.5	8.0	5.5	25.5	12.0	17.0		
M11210-04-18	6	- 4	1/4"	M 18X1.5	10.0	6.0	26.5	12.0	19.0		
M11210-04-20	6	- 4	1/4"	M 20X1.5	12.0	7.0	29.0	12.0	22.0		
M11210-05-16	8	- 5	5/16"	M 16X1.5	8.0	5.5	26.0	12.0	17.0		
M11210-05-18	8	- 5	5/16"	M 18X1.5	10.0	7.0	26.5	12.0	19.0		
M11210-05-20	8	- 5	5/16"	M 20X1.5	12.0	7.0	29.0	12.0	22.0		
M11210-06-18	10	- 6	3/8"	M 18X1.5	10.0	7.0	27.0	12.0	19.0		
M11210-06-20	10	- 6	3/8"	M 20X1.5	12.0	7.0	29.0	12.0	22.0		
M11210-06-22	10	- 6	3/8"	M 22X1.5	14.0	8.0	31.0	14.0	22.0		
M11210-08-20	12	- 8	1/2"	M 20X1.5	12.0	9.3	29.5	12.0	22.0		
M11210-08-22	12	- 8	1/2"	M 22X1.5	14.0	9.3	31.5	14.0	22.0		
M11210-08-24	12	- 8	1/2"	M 24X1.5	16.0	9.3	31.5	14.0	24.0		
M11210-10-30	16	- 10	5/8"	M 30X2	20.0	15.0	35.5	16.0	30.0		
M11210-10-36	16	- 10	5/8"	M 36X2	25.0	19.8	40.0	18.0	36.0		
M11210-12-30	19	- 12	3/4"	M 30X2	20.0	15.0	37.0	16.0	30.0		
M11210-12-36	19	- 12	3/4"	M 36X2	25.0	19.8	41.0	18.0	36.0		
M11210-16-36	25	- 16	1"	M 36X2	25.0	19.8	42.5	18.0	36.0		
M11210-16-42	25	- 16	1"	M 42X2	30.0	25.0	44.5	20.0	46.0		
M11210-20-52	31	- 20	1.1/4"	M 52X2	38.0	30.0	51.0	22.0	55.0		

FITTINGS 160

DIN STANDARD CONNECTIONS

# M11290

**90° METRIC MALE 24° CONE SEAT HEAVY DUTY  
DIN 20066 / ISO 12151-2**



PART. REF.	HOSE BORE			Thread	Pipe	DIMENSIONS mm					
	DN	Dash	inch			T	B	A	C	E	H1
M11290-05-20	8	- 5	5/16"	M 20X1.5	12.0	7.0	29.0	12.0	36.5	22.0	
M11290-10-30	16	- 10	5/8"	M 30X2	20.0	15.0	45.5	16.0	61.5	30.0	